



PART NUMBER

PFF19-9002

DESCRIPTION

FRONT WISHBONE REAR BUSH

INSTALLATION GUIDE

Contents (parts per pack):

- 2 x Polyurethane Bushes
- 1 x PTFE/Silicone Grease
- 2 x Stainless Steel Sleeves

Please read the complete fitting instructions and check package components before fitment. These fitting instructions are to be used as a guide and in conjunction with workshop manual.

It is recommended that:

- all work to be carried out by a licensed technician;
- all safety precautions adhered to;
- wheel alignment to be checked and adjusted as required after any suspension work.
- All fasteners must be tensioned to manufacturer's torque settings.

Fitting Instructions:

1. Remove the front wishbone from the vehicle.
2. Using a workshop press and suitable adapters, push the original bush (including plastic outer shell) out of the arm. This will require snapping the top lip of the outer shell off.
3. File away any burrs or sharp edges from the bore and edges of the wishbone, and clean the bore of any dirt/rust.
4. Using a small amount of dish soap as lubricant, press the polyurethane bush into the wishbone, making small lip is facing towards the top of the arm (follow guidance of engraving) (Figure 1).
5. Apply the supplied grease to the outside of the stainless steel sleeve and the inside of the bush.
6. Push the sleeve into the bush, with the larger bore facing downwards.
7. Place the shaped washer on the top of the bush, with the edge of the washer facing upwards (see diagram).
8. Refit the wishbone to the vehicle, ensuring to tighten all hardware to manufacturer's recommended torque settings.

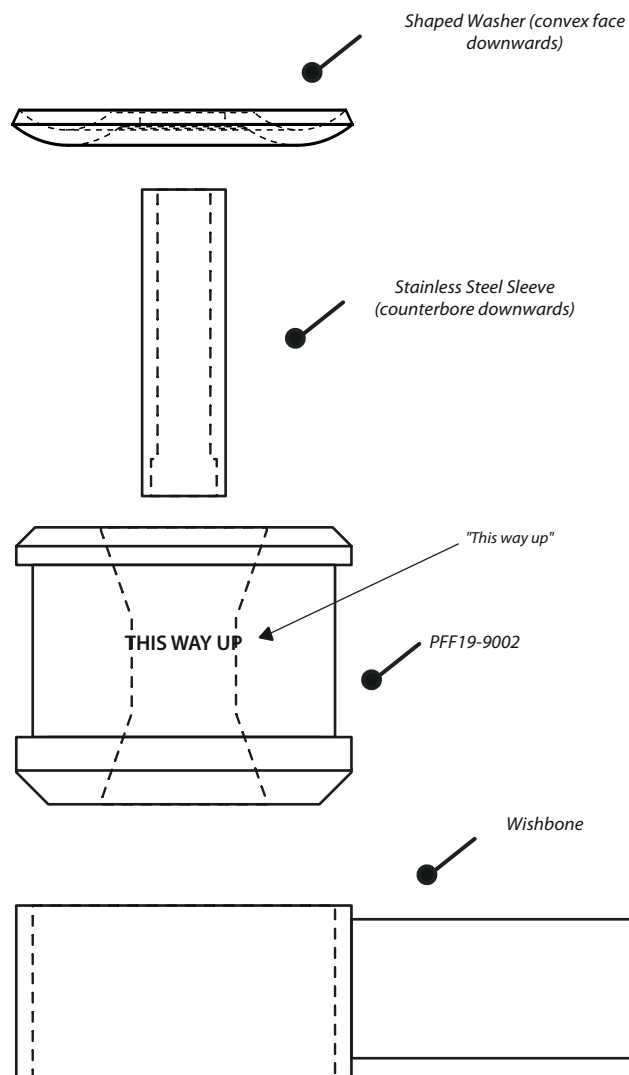


Figure 1